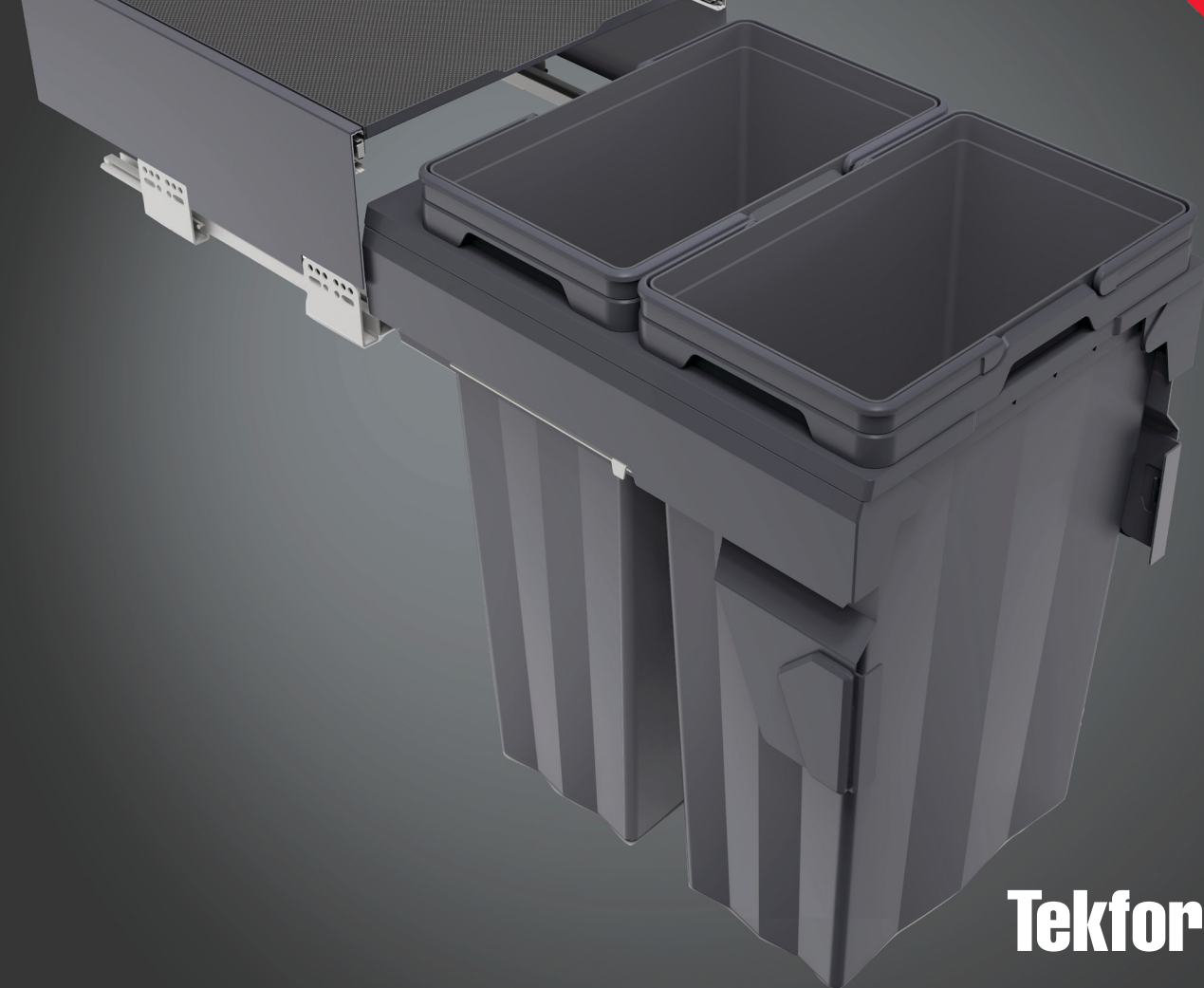


Kosara Soft Close Waste Bin

NEW



Tekform Titus⁺

Max Capacity Undermount System

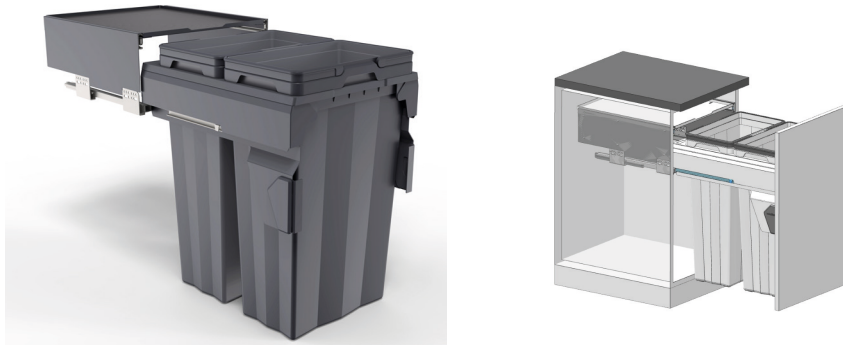
Integrated soft close bins

For a high quality solution to integrated kitchen waste with maximum capacity, choose the Kosara bin.

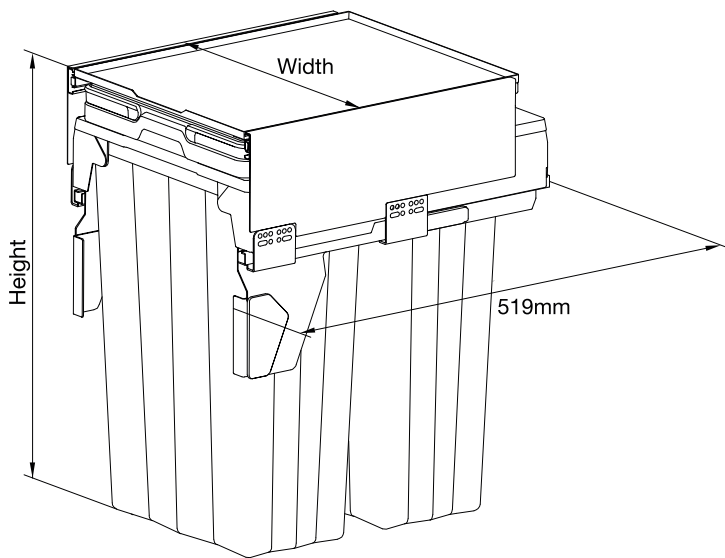
- Undermount soft close runner system
- Removable high impact plastic waste bins
- Modern anthracite finish
- Door mounted
- Available in multiple configurations for maximum flexibility

Kosara Softclose Waste Bin

To suit 300mm, 400mm, 450mm and 600mm cabinets



DIMENSIONS & TECHNICAL DRAWINGS



FEATURES:

- Large capacity waste bin to suit 300mm, 400mm, 450mm and 600mm cabinets
- Undermount 45kg soft close runner system
- Removable high-impact plastic bins for easy waste separation and disposal
- Door mounted installation with 6-way adjustment
- Fitted metal lid with non-slip mat doubles as storage shelf while trapping odours

DETAILS & ORDERING INFORMATION:

Available Sizes: 32L, 62L, 66L, 74L, 94L Available Finishes: Anthracite Material: Metal and plastic
Runners: Softclose undermount

Item Number:	Suits OCW	Depth (mm)	Width (mm)	Height (mm)	Capacity	Mounting	Finish
607.8G05.332.134	300mm	520	268	620	32L (2x 16L)	Door	Anthracite
607.8G05.362.144	400mm	520	368	620	62L (2x 31L)	Door	Anthracite
607.8G05.366.174	450mm	520	418	540	66L (2x 33L)	Door	Anthracite
607.8G05.374.174	450mm	520	418	620	74L (2x 37L)	Door	Anthracite
607.8G05.394.164	600mm	520	568	620	94L (2x 16L, 2x 31L)	Door	Anthracite

CONTACT:

Australia

Phone: 1300-0-TITUS

Email: info@titustekform.com.au

Website: www.titustekform.com.au

New Zealand

Phone: +64 9 837 0886

Email: stefano-orlati@titusplus.com

Website: www.stefano-orlati.co.nz