



Tekform Overhead Lifters

A world of alternative openings

About Titus Tekform

Titus Tekform Pty. Ltd. is a proud member of the Titus Group of companies that sources, manufactures and markets innovative small component solutions in Australia and New Zealand. Titus Tekform strives to be the supplier of choice for the Australian kitchen, furniture, shop-fitting and cabinet making industries.

We specialise in providing solutions that improve the competitiveness of furniture, furniture making, kitchen manufacturing, and shop-fitting. Our customer promise is innovation, technical expertise and reliability as we endeavour to exceed our customer expectations by providing quality products at a competitive price.

Our helpful and knowledgeable staff will provide you with industry-leading expertise and service in all your kitchen, bathroom, wardrobe, shop-fitting, cabinet-making or commercial hardware needs.

Our carefully selected product range includes superior Titus hinges, dampers and furniture fittings; the extensive Tekform Double Wall and Single Wall drawer family; Stefano Orlati lighting, handles and decorative surfaces; as well as a comprehensive array of innerware, sinks, taps, appliances, adhesives, abrasives, fasteners, and edgebanding.

Contents

AeroBus: Upwards Operation	6
AeroFlap: Moves Above	7
AeroLoft: Moves Up	8
AeroSplit: Folds Up	9
AeroPlus: Upwards Operation	10
Klock XL: Flap Stay	11
Lift up Stay	13
Flap Stay with Catch	14

A world of alternative openings from Titus Tekform.



Linear, Minimalistic Design

- Corresponding design for large base drawer cabinets
- Enhance impact of the cabinet

One Movement, Full Access

- Immediate access in one movement
- Non-invasive look with full accessibility to the cabinet contents

Tekform Overhead Lifters



Elegant Movement

- Variety of movement applications
- Self-lifting and self-holding options
- Soft close damping as standard

Full Range of Solutions

- For a variety of door sizes and weights
- Fully accessible in one go with lift, fold-up and swing over options

Overhead Solutions

AeroBus Opening System

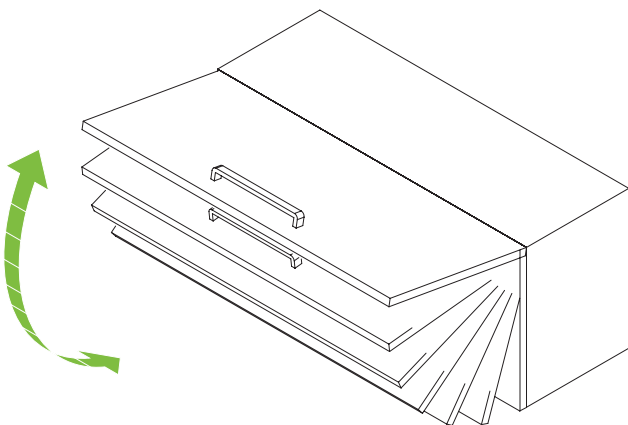
- Easy assembly with click-on door fixing
- No hinges or stabilisation bars required
- SlowMotion technology for controlled and silent closing
- Non-invasive slim housing



Door Height	606.8L03.020.000	606.8L03.040.000
400	1.0 - 2.5kg	2.4 - 5.5kg
350	1.1 - 2.9kg	2.7 - 6.3kg
300	1.3 - 3.5kg	3.2 - 7.4kg
250	1.6 - 4.0kg	3.8 - 8.9kg
200	2.0 - 5.0kg	4.8 - 11.0kg
180	2.2 - 5.5kg	5.3 - 12.3kg

Kit includes:

- Symmetrical and dampened mechanisms (2 Pcs)
- Linear mounting plates for the door fixing (2 Pcs)
- Ø4 x 15mm screws (6 Pcs)
- Ø4 x 35mm screws (8 Pcs)
- Covers: right and left (2 Pcs)



Overhead Solutions

AeroFlap Opening System

- Door moves above cabinet opening
- Perfect pause in every opening position
- 30 adjustments for door positioning
- SlowMotion technology for controlled and silent closing



Door Height (mm)	Door Weight (kg)	Item Number
450	4.8-5.7	606.8L09.010.660
600	4.4-5.2	
660	4.0-4.7	
450	5.8-7.3	606.8L09.020.660
600	5.3-6.7	
660	4.8-6.2	
450	7.4-9.2	606.8L09.030.660
600	6.8-8.4	
660	6.3-7.9	
450	9.3-10.8	606.8L09.040.660
600	8.5-9.9	
660	8.0-9.3	
450	10.9-14.5	606.8L09.050.660
600	10.0-13.0	
660	9.4-11.8	
720	7.9-9.3	606.8L09.130.800
800	7.7-8.9	
720	9.5-12.0	606.8L09.140.800
800	9.0-11.4	



Kit includes:

- 2 mechanisms, RH & LH
- 2 dampers for mechanisms
- 2 covers, RH & LH
- 14 Euro screws, Ø6x12mm
- 12 Self-tapping screws Ø4x35mm
- Assembly instructions

Stabilisation bar, 1200mm

→ Order separately 606.8L09.150.020

Overhead Solutions

AeroLoft Opening System

- Compact and non-invasive system
- Easy mounting on the cabinet and rapid fixing on the door with a “click” and without hinges
- Damper included for a controlled and silent closure of the door
- 3-Way vertical and horizontal adjustment with door weight adjustment



Door Height (mm)	Door Weight (kg)	Item Number
380 - 500	4.8 - 6.0	606.8L09.210.500
450 - 580	6.0 - 7.6	606.8L09.310.058
450 - 580	7.7 - 9.2	606.8L09.320.058

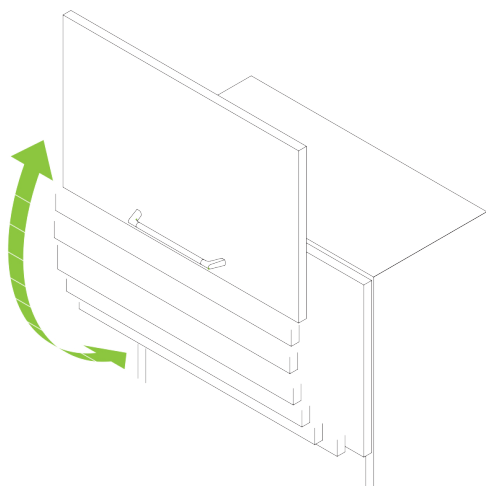
Packing: 1 kit

Kit includes:

- 2 mechanisms, RH & LH
- 2 dampers for mechanisms
- 2 covers, RH & LH
- 14 Euro screws, Ø6x12mm
- 12 Self-tapping screws Ø4x35mm
- Assembly instructions

Stabilisation bar, 1200mm

→ Order separately 606.8L09.150.200



Overhead Solutions

AeroSplit Opening System

- Door bi-folds up
- 125° folding door opening operation, ensuring the second half of the door folds extremely flat
- Anti-pinch central hinge for safe functioning
- No stabilization bar required
- Perfect pause in every position
- SlowMotion technology for controlled and silent closing



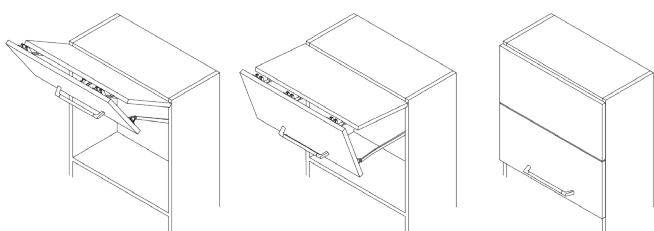
Door Height (mm)	Door Weight (kg)	Item Number
600	6.8 - 8.1	606.8L09.510.060
600	8.2 - 10.0	606.8L09.520.060
720	6.6 - 8.7	606.8L09.610.072
720	8.8 - 11.0	606.8L09.620.072
720	11.1 - 13.3	606.8L09.630.072
800	10.1 - 12.5	606.8L09.730.080
800	12.6 - 13.5	606.8L09.740.080

Packing: 1 kit

Kit includes:

- 2 mechanisms, RH & LH
- 2 dampers for mechanisms
- 2 brackets for mechanisms, RH & LH
- 2 covers, RH & LH
- 2 central hinges
- 14 Euro screws, Ø6x12mm
- 12 Self-tapping screws Ø4x35mm
- Assembly instructions

Note: 110° Hinge not included



Overhead Solutions

AeroPlus Opening System

- Upwards operation
- Symmetrical mechanism for smart assembly
- Adjustable for doors up to 20kg
- Perfect stay in all positions
- 32mm standard cabinet drilling
- Combine with soft close hinges for smooth operation



Item Number

606.8L09.900.110

Packing: 15 kits

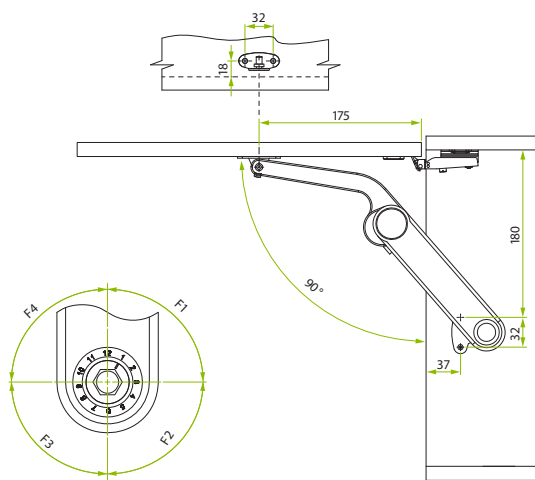
Kit includes:

- 1 AeroPlus joint
- 1 Cover cap
- 1 Bracket for cabinet
- 1 Bracket for wooden door
- Assembly instructions

Note: 110° Hinge not included

Door Weight Adjustment (kgs)

Door Height	F1 1-2-3	F2 4-5-6	F3 7-8-9	F4 10-11-12
300	3 - 5	5 - 10	9 - 15,5	11 - 20
400	2 - 4	3,5 - 7,5	6,5 - 11,5	8,5 - 15
500	1,5 - 3	3 - 6	5,5 - 9,5	7 - 12
600	1,5 - 2,5	2,5 - 5	4,5 - 7,5	6 - 10



Overhead Solutions

Klok XL Flap Stay

- Minimum door height 300mm
- Maximum door height 700mm
- Maximum door opening angle 105°
- Klok XL Flap Stay complete with carcase bracket and door bracket for wood.
- Details on how many flap stays are required depending on door height, weight and desired opening angle

One Set: Item Number

606.8L03.001.000

Note:

→ To ensure you choose the correct quantity of Klok XL Flap stays for your application, use the chart on **page 12**.



Overhead Solutions

Klok XL Flap Stay

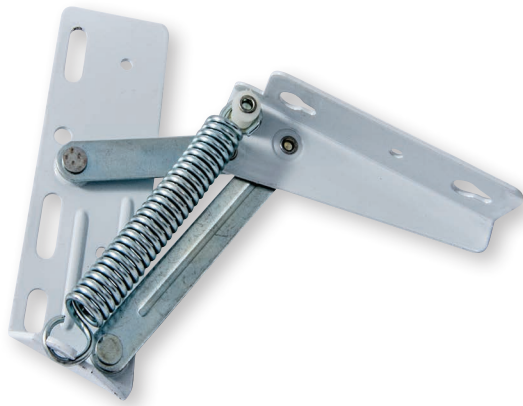
Choosing the correct quantity of Klok XL Flap Stays

Door weight & maximum opening angle		Door Height (mm)								
		300	350	400	450	500	550	600	650	700
2kg	75°	1	1	1	1	1	1	1	1	1
	90°	1	1	1	1	1	1	1	2	2
	105°	1	1	1	1	1	2	2	2	2
3kg	75°	1	1	1	1	1	1	1	1	1
	90°	1	1	1	1	1	1	1	2	2
	105°	1	1	1	1	1	2	2	2	2
4kg	75°	1	1	1	1	1	1	1	1	1
	90°	1	1	1	1	1	1	1	2	2
	105°	1	1	1	1	1	2	2	2	2
5kg	75°	1	1	1	1	1	1	1	1	1
	90°	1	1	1	1	1	1	1	2	2
	105°	1	1	1	1	1	2	2	2	2
6kg	75°	1	1	1	1	1	1	1	1	1
	90°	1	1	1	1	1	2	2	2	2
	105°	1	1	1	2	2	2	2	2	2
7kg	75°	1	1	1	1	1	1	1	2	2
	90°	1	1	1	2	2	2	2	2	2
	105°	1	1	2	2	2	2	2	2	/
8kg	75°	1	1	1	1	1	2	2	2	2
	90°	1	1	2	2	2	2	2	2	2
	105°	1	2	2	2	2	2	2	/	/
9kg	75°	1	1	1	1	2	2	2	2	2
	90°	1	2	2	2	2	2	2	2	/
	105°	2	2	2	2	2	/	/	/	/
10kg	75°	1	1	1	2	2	2	2	2	2
	90°	1	2	2	2	2	2	2	2	2
	105°	2	2	2	2	/	/	/	/	/
11kg	75°	1	1	2	2	2	2	2	2	2
	90°	2	2	2	2	2	/	/	/	/
	105°	2	2	2	/	/	/	/	/	/
12kg	75°	1	1	2	2	2	2	2	2	2
	90°	2	2	2	2	2	/	/	/	/
	105°	2	2	2	/	/	/	/	/	/

Overhead Solutions

Lift up Stay

- Lift Up Overhead Stay with easy operation and variable opening angle of 75°.
- No concealed hinges required on top panel.
- Spring strength of 180N



Force (N)

Item Number

180

606.8L03.287.000

Overhead Solutions

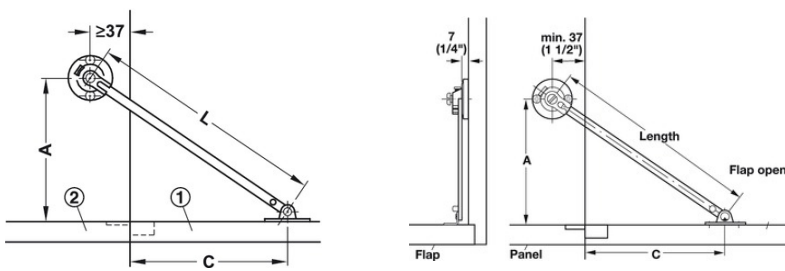
Flap Stay with Catch

- Catch keeps door in closed position
- Made of steel and plastic
- Nickel-plated and white finish
- For left or right handed use
- Screw fixing



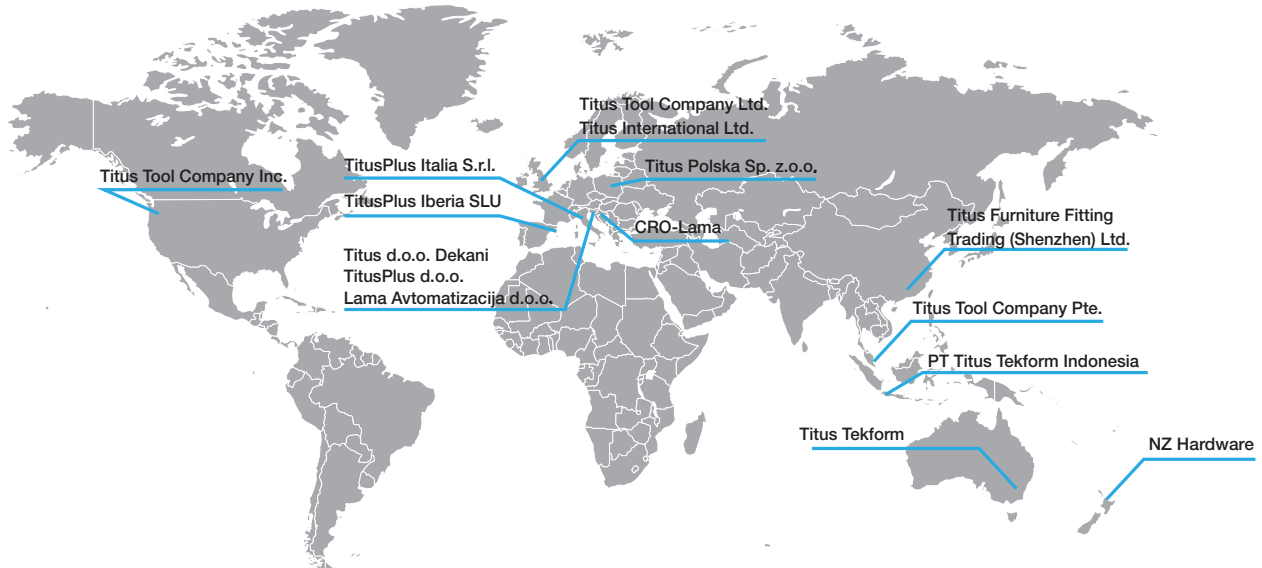
Length (mm)	Int. Cabinet Height	Item Number
225	Min. 190mm	605.8A20.225.001

Technical Details



Note: Unscrew to increase and tighten screw to decrease braking effect.

Worldwide design, manufacturing and local distribution capabilities



Victoria

Titus Tekform Pty Ltd
8/59 Jersey Road
Bayswater, VIC, 3153
T: +61 3 9737 5566
Fax: +61 3 9729 8780

Titus Tekform Pty Ltd
2/20 Mint Street
Wodonga, VIC, 3690
T: +61 2 6056 3188
Fax: +61 2 6056 3190

Western Australia

Titus Tekform Pty Ltd
(Biemel's Cabinet Hardware)
5/2 Wittenberg Drive
Canning Vale, WA, 6155
T: +61 8 9455 2122
Fax: +61 8 9455 3680

South Australia

Titus Tekform Pty Ltd
PO Box 357,
Bayswater, VIC, 3153
T: +61 8 8447 3700
Fax: +61 8 8447 3183

New South Wales

Titus Tekform Pty Ltd
Unit 1&2, 41-43 Whyalla Place
Prestons, NSW, 2170
T: +61 2 9826 0007
Fax: +61 2 9826 0074

Titus Tekform Pty Ltd
Unit 3, 100 Munibung Road
Cardiff, NSW, 2285
T: +61 2 4954 4011
Fax: +61 2 4354 4233

Titus Tekform Pty Ltd
(John Kaye Kitchen & Cabinet Hardware)
Cnr Heffernan & Brookes Street
Mitchell, ACT, 2911
T: +61 2 9826 0007
F: +61 2 9826 0074

Tasmania

Titus Tekform Pty Ltd
88 Hopkins Street
Moonah, TAS, 7009
T: +61 3 6273 1199
Fax: +61 3 6273 0050

Queensland

Titus Tekform Pty Ltd
76 Northlink Place
Virginia, QLD, 4014
T: +61 7 3266 3999
Fax: +61 7 3266 5234

Titus Tekform Pty Ltd
20 Civil Road
Garbutt, QLD, 4814
T: +61 7 4779 1366
Fax: +61 7 4779 1316

New Zealand

Stefano Orlati
(NZ Hardware Enterprises)
34 Waipareira Avenue
Henderson, Auckland 0610

Stefano Orlati
(NZ Hardware Enterprises)
162 Wordsworth Street
Sydenham, Christchurch 8023



Titus Tekform Australia

www.titustekform.com.au

info@titustekform.com.au

Stefano Orlati New Zealand

www.stefanohardware.com

info@tnzhe.co.nz

Connect with us

 [LinkedIn.com/company/titustekform](https://www.linkedin.com/company/titustekform)

 [Instagram.com/titustekform](https://www.instagram.com/titustekform)

 [Pinterest.com/titustekform](https://www.pinterest.com/titustekform)

 ["Titus Tekform"](#)